



A Donaldson Company

A WORLD LEADER IN FUME EXTRACTION TECHNOLOGY

# AD Universal

LASER

Last Updated on 30.08.2018



The compact system designed for small scale industrial environments and light laser coding applications.

The AD Universal fume extraction and filtration system has been designed to provide cost effective solutions for light to medium duty applications. These compact systems are ideal for small scale industrial environments and light laser coding applications.

## Technology



DeepPleat pre filter



HEPA filter



Advanced carbon filter (ACF) technology



Multi voltage sensing (MVS) unit



ProTECT service plan



SureCHECK quality standard

## Key features of the AD Universal

Digital speed control  
Standard

Long life, low cost replacement filters  
Standard

Advanced carbon filter (ACF) technology  
Standard

Low noise levels  
Standard

Remote stop / start interface  
Optional

Filter condition indicator  
Standard

DeepPleat pre filter  
Standard

Small footprint  
Standard

VOC gas sensor (Volatile Organic Compound)  
Optional

Filter change / System fail signal  
Optional

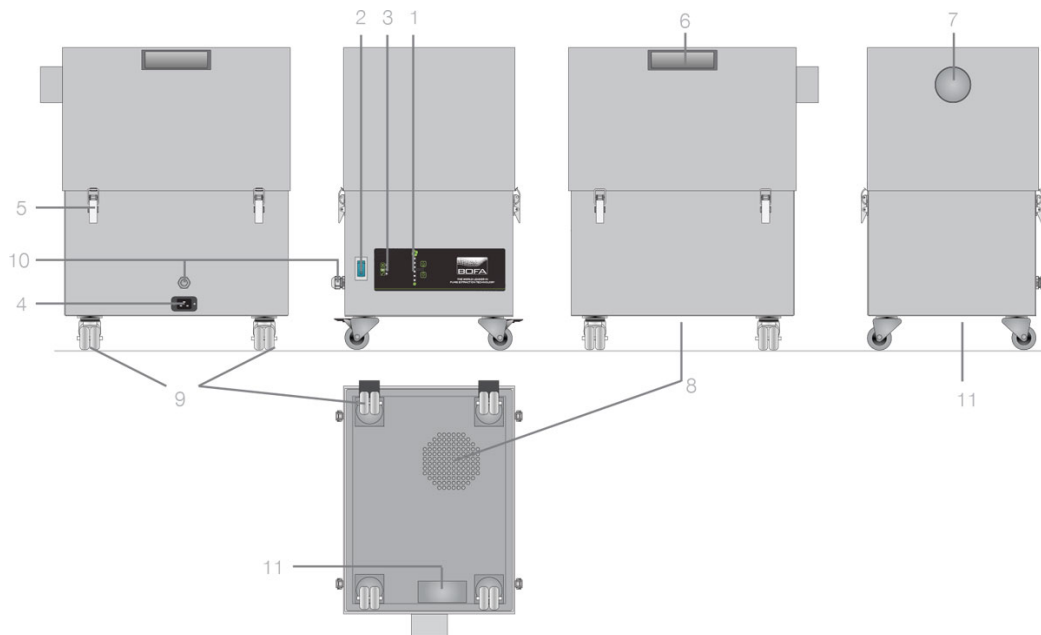
Contact BOFA at <https://bofainternational.com/en/contact/>

<https://bofainternational.com/en/portal/datasheets/ad-universal/>

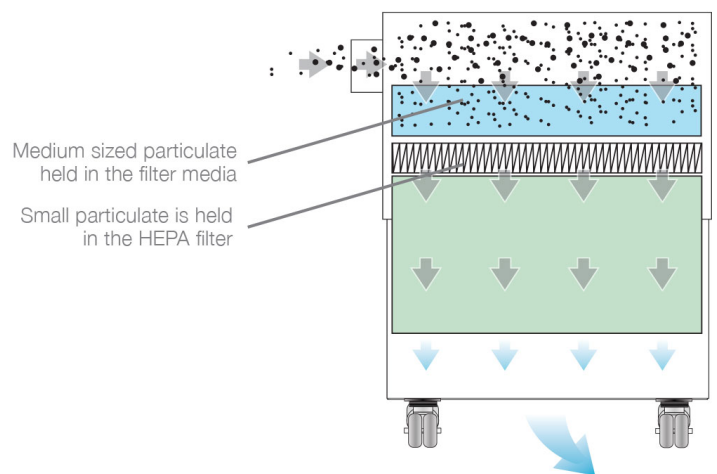
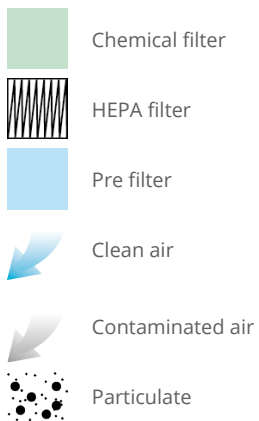


## Technical specification

- |                          |                              |                                   |                          |
|--------------------------|------------------------------|-----------------------------------|--------------------------|
| 1. Digital speed control | 2. On / Off switch           | 3. Filter condition display       | 4. IEC power cable inlet |
| 5. Lid fastening latches | 6. Handles                   | 7. Hose inlet connections - 100mm | 8. Motor cooling inlet   |
| 9. Castors               | 10. Signal / Interface cable | 11. Exhaust outlet                |                          |



## Airflow through filters



## Technical data

	EU	US
Dimensions (HxWxD)	625 x 385 x 525 mm	24.61 x 15.16 x 20.67"
Cabinet construction	Powder coated mild steel	Powder coated mild steel
Airflow / Pressure	380m <sup>3</sup> /hr / 96mbar	223cfm / 96mbar
Electrical data	90v - 257v 1ph 50/60Hz Full load current: 12.5 amps/ 1.1kw	90 - 257v 1ph 50/60Hz Full load current: 12.5 amps/ 1.1kw
Noise level	<60dBA (at typical operating speed)	<60dBA (at typical operating speed)
Weight	50kg	110lbs
Approvals	CE	

## DeepPleat pre filter specifications

Surface media area	6m <sup>2</sup> approx (64.56 ft <sup>2</sup> )
Filter media	Glass fibre
Filter media construction	100mm maxi fold construction with webbing spacers (0.32ft)
Filter efficiency	95% @ 0.9 microns

## Combined filter specifications

HEPA filter media	Glass fibre
HEPA media construction	50mm maxi pleat construction with webbing spacers (0.16ft)
Filter housing	Zintec mild steel
Treated activated carbon	11kgs (24.2 lbs)
Filter efficiency	99.997% @ 0.9 microns

## Part numbers

Model	Voltage	Part no.	24V stop/start	Filter change / System failure signal	VOC monitoring
AD Universal powder coated	115V - 230V	L2244A	A2001	A2002	A2003

## Replacement filters

Model	DeepPleat Pre Filter	Combined Filter
AD Universal	A1030167	A1030166

*Datasheet correct at time of publishing.*

*Where applicable, the carbon used in BOFA units is capable of removing a wide range of VOC's, however it is the responsibility of the user to ensure the carbon is suitable for their application. For specific applications, please contact us for details.*

*Think before you print! Please consider the environment before printing this document.*

